

SECTION #

1	NUTS	STEEL	
2	WASHERS	STEEL	
3	HEX CAP SCREWS	STEEL	
4	BOLTS		
5	MACHINE & TAPPING SCREWS		
5	SPECIALTY SCREWS		
6	SOCKET SCREW PRODUCTS		
6	SHAFT COLLARS & HEX KEYS		
7	PINS - KEYS - RINGS		
8	THREADED ROD STUDS	GRADES 2, 5, B7, 8 NON-FERROUS	
9	BRASS FITTINGS	TUBE, PIPE, COCKS	
10	TUBING		
10	HOSE & HOSE CLAMPS	FUEL - AIR WATER HYDRAULICS	
10	HOSE FITTINGS	CRIMP REUSABLE BARB	
10	STEEL ADAPTERS		
10	AIR/WATER CAM & GROOVE HOSE FITTINGS		
10	QUICK COUPLERS	PNEUMATIC HYDRAULIC	




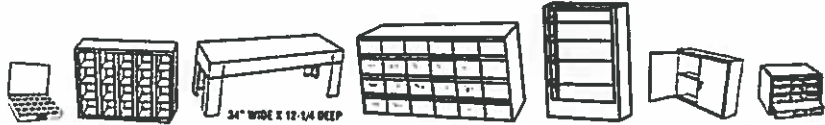
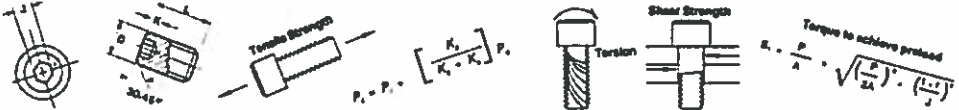
PLEASE NOTE: PICTORIAL MASTER INDEX DOES NOT SHOW ALL PRODUCTS AVAILABLE. PLEASE SEE EACH SECTION INDEX FOR FULL LINE LISTINGS.

SECTION #

11	PIPE FITTINGS	BLACK GALVANIZED 304 STAINLESS	
11	VALVES & HOSE BIBBS		SCHEDULE 40 & 80 PVC FITTINGS IN STOCK UP TO 4"
12	RIVETING PRODUCTS		
12	THREADED INSERTS		
13	NON FERROUS		
14	LUBRICATION FITTINGS		
14	ELECTRICAL PRODUCTS		
15	ANCHORING PRODUCTS		
15	HARDWARE PRODUCTS		
16	CUTTING TOOLS		
16	DRIVING BITS & TOOLS		
17	CABLE TIES		
17	LOOM CLIPS TUBING CLIPS		
17	O-RINGS ABRASIVES		RUBBER TARP STRAPS
17	THREAD REPAIR COILS - INSERTS		TAPES & CLAMPS
17	WHEEL & AXLE PARTS		TIRE RIM WHEEL WEIGHTS
17	POP-ON SCREW COVERS & BASES		HOLD DOWN BOLTS AND BATTERY BOLTS & NUTS

PLEASE NOTE: PICTORIAL MASTER INDEX DOES NOT SHOW ALL PRODUCTS AVAILABLE. PLEASE SEE EACH SECTION INDEX FOR FULL LINE LISTINGS.

SECTION #

17	CHEMICALS, PAINTS & SEALANTS	
18	METRIC FASTENERS	
19	ASSORTMENTS	 <p style="text-align: right;">STANDARD & CUSTOM ASSORTMENTS</p>
19	STORAGE EQUIPMENT	 <p style="text-align: center;">34" WIDE X 12-14 DEEP</p>
TECH	TECHNICAL HANDBOOK PAGES T1 THRU T42	 <p style="text-align: center;">Torque Strength: $P_1 = P_2 \cdot \left[\frac{K_1}{K_1 + K_2} \right] \cdot P$</p> <p style="text-align: center;">Torque to achieve pretension: $T = \frac{P}{A} \cdot \sqrt{\left(\frac{P}{2A} \right) \cdot \left(\frac{L \cdot J}{J} \right)}$</p>

PLEASE NOTE: PICTORIAL MASTER INDEX DOES NOT SHOW ALL PRODUCTS AVAILABLE. PLEASE SEE EACH SECTION INDEX FOR FULL LINE LISTINGS.

SECTION 1 PRODUCT INDEX



Line Description	Alpha	Line#	Page#
HEX MACHINE SCREW NUT - ZINC PLATED - UNC	CCU	3-00	1-4
HEX MACHINE SCREW NUT - ZINC PLATED - UNF	CCS	4-00	1-4
FINISHED HEX NUT - GRD 2 - ZINC PLATED - UNC	AAU	7-00	1-4
FINISHED HEX NUT - GRD 2 - ZINC PLATED - UNF	AAS	8-00	1-4
FINISHED HEX NUT - GRD 2 - PLAIN FINISH - UNC	BBU	9-00	1-5
FINISHED HEX NUT - GRD 2 - PLAIN FINISH - UNF	BBS	10-00	1-5
FINISHED HEX JAM NUT - GRD 2 - ZINC PLATED - UNC	GGU	11-00	1-5
FINISHED HEX JAM NUT - GRD 2 - ZINC PLATED - UNF	GGS	12-00	1-5
FINISHED HEX JAM NUT - GRD 8 - ZINC PLATED - UNC	AYF	12-03	1-6
FINISHED HEX JAM NUT - GRD 8 - ZINC PLATED - UNF	AYG	12-04	1-6
FINISHED HEX JAM NUT - GRD 2 - PLAIN FINISH - UNC	FFU	13-00	1-6
FINISHED HEX JAM NUT - GRD 2 - PLAIN FINISH - UNF	FFS	14-00	1-6
FINISHED HEX NUT (USA) - GRD 5 - ZINC PLATED - UNC	BDJ	14-10	1-7
FINISHED HEX NUT (USA) - GRD 5 - ZINC PLATED - UNF	BDK	14-11	1-7
FINISHED HEX NUT (GLOBAL) - GRD 5 - ZINC PLATED - UNC	APW	14-12	1-7
FINISHED HEX NUT (GLOBAL) - GRD 5 - ZINC PLATED - UNF	APX	14-13	1-7
HEAVY HEX NUT - GRD 2 - PLAIN FINISH - UNC	ATU	15-00	1-7
HEAVY HEX NUT - GRD 2 - ZINC PLATED - UNC	AUU	16-00	1-8
HEAVY HEX JAM NUT - GRD 2 - PLAIN FINISH - UNC	ADA	17-00	1-8
HIGH HEX NUT - GRD 5 - PLAIN FINISH - UNF	AKA	18-00	1-8
HIGH HEX NUT - GRD 5 - ZINC PLATED - UNF	EAD	19-00	1-9
FINISHED HEX NUT (USA) - GRD 8 - YELLOW/ZINC - UNC	BDR	19-50	1-9
FINISHED HEX NUT (USA) - GRD 8 - YELLOW/ZINC - UNF	BDT	19-51	1-9
THICK HEX NUT 180K PSI (USA) - YELLOW/ZINC - UNC	BDN	19-54	1-9
FINISHED HEX NUT - GRD 8 - PLAIN FINISH - UNC	EEU	20-00	1-9
FINISHED HEX NUT - GRD 8 - PLAIN FINISH - UNF	EES	21-00	1-9
FINISHED HEX NUT - GRD 8 - YELLOW/ZINC - UNC	DND	22-00	1-10
FINISHED HEX NUT - GRD 8 - YELLOW/ZINC - UNF	DPD	23-00	1-10
T9 ALLOY THICK HEX NUT - YELLOW/CADMIUM - UNC	ACF	23-01	1-10
T9 ALLOY THICK HEX NUT - YELLOW/CADMIUM - UNF	ACG	23-02	1-10
T9 ALLOY STOVER LOCK NUT - YELLOW/CADMIUM - UNC	ACH	23-03	1-10
T9 ALLOY STOVER LOCK NUT - YELLOW/CADMIUM - UNF	ACJ	23-04	1-11
FLANGE LOCK NUT - GRD G (8) - YELLOW/ZINC - UNC	JFS	23-05	1-11
FLANGE LOCK NUT - GRD G (8) - YELLOW/ZINC - UNF	JGS	23-06	1-11
FLANGE LOCK NUT - GRD G (USA) - PHOSPHATE/OIL - UNC	BDP	23-07	1-11
HIGH HEX NUT - GRD 8 - PLAIN FINISH - UNF	EBD	24-00	1-11
HIGH HEX NUT - GRD 8 - ZINC PLATED - UNF	ECD	25-00	1-11
A563C HEAVY HEX NUT (A325) - PLAIN FINISH - UNC	UHU	26-00	1-11
A563C HEAVY HEX NUT (A325) - ZINC PLATED - UNC	HKD	27-00	1-12
GRD DH HEAVY HEX NUT - GRD 8 - PLAIN FINISH & HOT DIP GALV - UNC	CGR	27-01	1-12

(CONTINUED...)

SECTION 1 PRODUCT INDEX



Line Description	Alpha	Line#	Page#
GRD 2H HEAVY HEX NUT (C24/C38 HRC) - UNC	HHU	28-00	1-12
GRD 2H HEAVY HEX NUT (C24/C38 HRC) - UN8	HHH	29-00	1-12
GRD 2H HEAVY HEX WHEEL NUT - ZINC PLATED - UNC	WWW	30-00	1-12
HEX MACHINE SCREW NYLON INSERT LOCK NUT - ZINC - NTM - UNC	AWU	31-00	1-12
HEX MACHINE SCREW NYLON INSERT LOCK NUT - ZINC - NTM - UNF	AWS	32-00	1-12
GRD 2H HEAVY HEX NUT (C24/C38 HRC) ZINC PLATED - UNC	HHD	33-00	1-13
GRD 2H HEAVY HEX NUT (C24/C38 HRC) ZINC PLATED - UN8	HJD	34-00	1-13
NYLON INSERT LOCK NUT - ZINC PLATED - NE - UNC	AVU	35-00	1-13
NYLON INSERT LOCK NUT - ZINC PLATED - NE - UNF	AVS	36-00	1-13
NYLON INSERT HEX JAM LOCK NUT - ZINC PLATED - NTE - UNC	AXU	37-00	1-13
NYLON INSERT HEX JAM LOCK NUT - ZINC PLATED - NTE - UNF	AXS	38-00	1-14
NYLON INSERT HEAVY HEX LOCK NUT - ZINC PLATED - NU - UNC	AGA	39-00	1-14
NYLON INSERT HEAVY HEX JAM LOCK NUT ZINC - NTU - UNC	AHA	40-00	1-14
NYLON INSERT HIGH HEX LOCK NUT - ZINC PLATED - UNF	AJA	41-00	1-14
NYLON INSERT HEX LOCK NUT - GR. 8 - YEL/ZINC - NE - UNC/UNF	JXF	41-01	1-14
GRADE C STEEL LOCK NUT - YELLOW/ZINC/WAX - UNC	BRU	42-00	1-15
GRADE C STEEL LOCK NUT - YELLOW/ZINC/WAX - UNF	BRS	43-00	1-15
GRADE C STEEL LOCK NUT (USA) - YELLOW/CAD/WAX - UNC	BDW	43-01	1-15
GRADE C STEEL LOCK NUT (USA) - YELLOW/CAD/WAX - UNF	BDX	43-02	1-15
GRADE B STEEL LOCK NUT - ZINC/WAX - UNC	BSU	44-00	1-16
GRADE B STEEL LOCK NUT - ZINC/WAX - UNF	BSS	45-00	1-16
LIGHT HEX FLEXLOC NUT - CADMIUM PLATED - UNC	BTU	46-00	1-16
LIGHT HEX FLEXLOC NUT - PLAIN FINISH - UNC	JJK	46-01	1-16
LIGHT HEX FLEXLOC NUT - CADMIUM PLATED - UNF	BTS	47-00	1-16
LIGHT HEX FLEXLOC NUT - PLAIN FINISH - UNF	JKK	47-01	1-17
LIGHT HEX JAM FLEXLOC NUT - CADMIUM PLATED - UNC	BUU	48-00	1-17
LIGHT HEX JAM FLEXLOC NUT - PLAIN FINISH - UNC	JLK	48-01	1-17
LIGHT HEX JAM FLEXLOC NUT - CADMIUM PLATED - UNF	BUS	49-00	1-17
LIGHT HEX JAM FLEXLOC NUT - PLAIN FINISH - UNF	JMK	49-01	1-18
HEAVY HEX FLEXLOC NUT - PLAIN FINISH - UNC	APA	50-00	1-18
HEAVY HEX FLEXLOC NUT - CADMIUM PLATED - UNC	JNK	50-01	1-18
HEAVY HEX JAM FLEXLOC NUT - PLAIN FINISH - UNC	AUA	51-00	1-18
HEAVY HEX JAM FLEXLOC NUT - CADMIUM PLATED - UNC	JPK	51-01	1-18
FINISHED 2/WAY LOCK NUT - GRADE 2 - ZINC PLATED - UNC	BXU	52-00	1-19
FINISHED 2/WAY LOCK NUT - GRADE 2 - ZINC PLATED - UNF	BXS	53-00	1-19
HEX K-LOCK NUT (KEPS STYLE) - ZINC PLATED - UNC	BCU	54-00	1-19
HEX K-LOCK NUT (KEPS STYLE) - ZINC PLATED - UNF	BCS	55-00	1-19
FINISHED HEX CASTLE NUT - ZINC PLATED - UNF	KKS	59-00	1-19
FINISHED HEX CASTLE NUT - PLAIN STEEL - UNC	LLU	60-00	1-19
FINISHED HEX CASTLE NUT - PLAIN FINISH - UNF	LLS	61-00	1-20

(CONTINUED...)

SECTION 1 PRODUCT INDEX



Line Description	Alpha	Line#	Page#
FINISHED HEX SLOTTED NUT - PLAIN FINISH - UNC	NNU	62-00	1- 20
FINISHED HEX SLOTTED NUT - PLAIN FINISH - UNF	NNS	63-00	1- 20
HEAVY HEX SLOTTED NUT - PLAIN FINISH - UNC	AEA	66-00	1- 20
FINISHED HEX SLOTTED NUT - ZINC PLATED - UNF	DYD	68-00	1- 21
STAMPED WING NUT - ZINC PLATED - UNC	AYU	71-00	1- 21
FORGED WING NUT - ZINC PLATED - UNC	AZU	72-00	1- 21
FORGED WING NUT - ZINC PLATED - UNF	AZS	73-00	1- 21
HEX CAP NUT - 2 PIECE - NICKEL PLATED - UNC	BDU	78-00	1- 21
HEX CAP NUT - 2 PIECE - NICKEL PLATED - UNF	BDS	79-00	1- 21
HEX MILLED CAP NUT (LOW DOME) - ZINC PLATED - UNC	BEU	80-00	1- 21
HEX MILLED CAP NUT (LOW DOME) - ZINC PLATED - UNF	BES	81-00	1- 22
HEX ROD COUPLING NUT - ZINC PLATED - UNC	ALA	84-00	1- 22
FINISHED HEX NUT - HOT-DIPPED GALVANIZED - UNC	AWA	85-00	1- 22
HEAVY HEX NUT - HOT-DIPPED GALVANIZED - UNC	AXA	86-00	1- 22
HEAVY HEX NUT - GRADE 2H - HOT-DIPPED GALV - UNC/UN8	BDY	86-01	1- 22
SQUARE MACHINE SCREW NUT - ZINC PLATED - UNC/UNF	ARA	87-00	1- 23
REGULAR SQUARE NUT - PLAIN FINISH - UNC	ATA	89-00	1- 23
REGULAR SQUARE NUT - ZINC PLATED - UNC	DMD	91-00	1- 23
PRONGED TEE NUT - ZINC PLATED - UNC/UNF	AQA	92-00	1- 23
SERRATED FLANGE HEX NUT - ZINC - CASE HARD - UNC/UNF	ZLB	95-00	1- 23
LEFT HAND FINISHED HEX NUT - PLAIN FINISH - UNC	BNU	96-00	1- 24
LEFT HAND FINISHED HEX NUT - PLAIN FINISH - UNF	BNS	97-00	1- 24
LEFT HAND FINISHED HEX JAM NUT - PLAIN FINISH - UNC	BPU	98-00	1- 24
LEFT HAND FINISHED HEX JAM NUT - PLAIN FINISH - UNF	BPS	99-00	1- 24
LEFT HAND HEAVY HEX NUT - PLAIN FINISH - UNC	AMA	100-00	1- 24

HEX MACHINE SCREW NUT

ZINC PLATED, UNC

Line: 003-00



PART NUMBER	SIZE	QTY/BX	LIST PRICE
CCU00	#0-80	100	
CCU11	#1-64	100	
CCU22	#2-56	100	
CCU33	#3-48	100	
CCU432	#4-32	100	
CCU436	#4-36	100	
CCU44	#4-40	100	
CCU55	#5-40	100	
CCU66	#6-32	100	
CCU88	#8-32	100	
CCU88SX	#8-32 (1/4 AF)	100	
CCU03	#10-24	100	
CCU21	#12-24	100	
CCU1420	#14-20	100	
CCU04	1/4-20	100	
CCU05	5/16-18	100	
CCU06	3/8-16	100	

HEX MACHINE SCREW NUT

ZINC PLATED, UNF

Line: 004-00



PART NUMBER	SIZE	QTY/BX	LIST PRICE
CCS11	#1-72	100	
CCS22	#2-64	100	
CCS33	#3-56	100	
CCS44	#4-48	100	
CCS55	#5-44	100	
CCS66	#6-40	100	
CCS88	#8-36 (11/32 X 1/8)	100	
CCS03	#10-32	100	
CCS03X	#10-32 (5/16 AF)	100	
CCS21	#12-28	100	
CCS04	1/4-28	100	
CCS05	5/16-24	100	
CCS06	3/8-24	100	

GRADE 2 FINISHED HEX NUT

ZINC PLATED, UNC

Line: 007-00



PART NUMBER	SIZE	QTY/BX	LIST PRICE
AAU04	1/4-20	100	
AAU05	5/16-18	100	
AAU06	3/8-16	100	
AAU07	7/16-14 (5/8 AF)	100	
AAU07RX	7/16-14 (11/16 AF)	100	
AAU08	1/2-13	100	

(continued...)

GRADE 2 FINISHED HEX NUT (cont.)

ZINC PLATED, UNC

Line: 007-00



PART NUMBER	SIZE	QTY/BX	LIST PRICE
AAU09	9/16-12	50	
AAU10	5/8-11	50	
AAU12	3/4-10	50	
AAU14	7/8-9	25	
AAU16	1-8	25	
AAU18	1 1/8-7	25	
AAU20	1 1/4-7	25	
AAU22	1 3/8-6	10	
AAU24	1 1/2-6	10	
AAU26	1 5/8-5 1/2	5	
AAU28	1 3/4-5	5	
AAU32	2-4 1/2	5	
AAU36	2 1/4-4 1/2	1	
AAU40	2 1/2-4	1	
AAU44	2 3/4-4	1	
AAU48	3-4	1	

GRADE 2 FINISHED HEX NUT

ZINC PLATED, UNF

Line: 008-00



PART NUMBER	SIZE	QTY/BX	LIST PRICE
AAS04	1/4-28	100	
AAS05	5/16-24	100	
AAS06	3/8-24	100	
AAS07	7/16-20 (5/8 AF)	100	
AAS07RX	7/16-20 (11/16 AF)	100	
AAS08	1/2-20	100	
AAS09	9/16-18	50	
AAS10	5/8-18	50	
AAS12	3/4-16	50	
AAS14	7/8-14	25	
AAS16	1-14	25	
AAS16X	1-12	25	
AAS18	1 1/8-12	25	
AAS20	1 1/4-12	25	
AAS22	1 3/8-12	10	
AAS24	1 1/2-12	10	
AAS26	1 5/8-12	5	
AAS28	1 3/4-12	5	
AAS30	1 7/8-12	5	
AAS32	2-12	5	
AAS36	2 1/4-12	1	
AAS40	2 1/2-12	1	
AAS44	2 3/4-12	1	
AAS48	3-12	1	

GRADE 2 FINISHED HEX NUT

PLAIN STEEL, UNC

Line: 009-00



PART NUMBER	SIZE	QTY/BX	LIST PRICE
BBU04	1/4-20	100	
BBU05	5/16-18	100	
BBU06	3/8-16	100	
BBU07	7/16-14 (5/8 AF)	100	
BBU07RX	7/16-14 (11/16 AF)	100	
BBU08	1/2-13	100	
BBU09	9/16-12	50	
BBU10	5/8-11	50	
BBU12	3/4-10	50	
BBU14	7/8-9	25	
BBU16	1-8	25	
BBU18	1 1/8-7	25	
BBU20	1 1/4-7	25	
BBU22	1 3/8-6	10	
BBU24	1 1/2-6	10	
BBU26	1 5/8-5 1/2	5	
BBU28	1 3/4-5	5	
BBU30	1 7/8-5	5	
BBU32	2-4 1/2	5	
BBU36	2 1/4-4 1/2	1	
BBU40	2 1/2-4	1	
BBU44	2 3/4-4	1	
BBU48	3-4	1	

GRADE 2 FINISHED HEX NUT

PLAIN STEEL, UNF

Line: 010-00



PART NUMBER	SIZE	QTY/BX	LIST PRICE
BBS04	1/4-28	100	
BBS05	5/16-24	100	
BBS06	3/8-24	100	
BBS07	7/16-20 (5/8 AF)	100	
BBS07RX	7/16-20 (11/16 AF)	100	
BBS08	1/2-20	100	
BBS09	9/16-18	50	
BBS10	5/8-18	50	
BBS12	3/4-16	50	
BBS14	7/8-14	25	
BBS16	1-14	25	
BBS16X	1-12	25	
BBS18	1 1/8-12	25	
BBS20	1 1/4-12	25	
BBS22	1 3/8-12	10	
BBS24	1 1/2-12	10	
BBS26	1 5/8-12	5	

(continued...)

GRADE 2 FINISHED HEX NUT (cont.)

PLAIN STEEL, UNF

Line: 010-00



PART NUMBER	SIZE	QTY/BX	LIST PRICE
BBS28	1 3/4-12	5	
BBS30	1 7/8-12	5	
BBS32	2-12	5	
BBS36	2 1/4-12	1	
BBS40	2 1/2-12	1	
BBS44	2 3/4-12	1	
BBS48	3-12	1	

GRADE 2 FINISHED HEX JAM NUT

ZINC PLATED, UNC

Line: 011-00



PART NUMBER	SIZE	QTY/BX	LIST PRICE
GGU04	1/4-20	100	
GGU05	5/16-18	100	
GGU06	3/8-16	100	
GGU07	7/16-14	100	
GGU08	1/2-13	100	
GGU09	9/16-12	50	
GGU10	5/8-11	50	
GGU12	3/4-10	50	
GGU14	7/8-9	25	
GGU16	1-8	25	
GGU18	1 1/8-7	25	
GGU20	1 1/4-7	25	
GGU22	1 3/8-6	10	
GGU24	1 1/2-6	10	
GGU28	1 3/4-5	5	
GGU32	2-4 1/2	5	
GGU36	2 1/4-4 1/2	1	
GGU40	2 1/2-4	1	
GGU44	2 3/4-4	1	
GGU48	3-4	1	

GRADE 2 FINISHED HEX JAM NUT

ZINC PLATED, UNF

Line: 012-00



PART NUMBER	SIZE	QTY/BX	LIST PRICE
GGS04	1/4-28	100	
GGS05	5/16-24	100	
GGS06	3/8-24	100	
GGS07	7/16-20	100	
GGS08	1/2-20	100	
GGS09	9/16-18	50	
GGS10	5/8-18	50	
GGS12	3/4-16	50	
GGS14	7/8-14	25	

(continued...)

GRADE 2 FINISHED HEX JAM NUT (cont.)

ZINC PLATED, UNF
Line: 012-00



PART NUMBER	SIZE	QTY/BX	LIST PRICE
GGS16	1-14	25	
GGS18	1 1/8-12	25	
GGS20	1 1/4-12	25	
GGS22	1 3/8-12	10	
GGS24	1 1/2-12	10	
GGS28	1 3/4-12	5	
GGS30	1 7/8-12	5	
GGS32	2-12	5	
GGS36	2 1/4-12	1	

GRADE 8 - FINISHED HEX JAM NUT

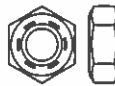
ZINC PLATED, UNC
Line: 012-03



PART NUMBER	SIZE	QTY/BX	LIST PRICE
AYF04	1/4-20	100	
AYF05	5/16-18	100	
AYF06	3/8-16	100	
AYF07	7/16-14	100	
AYF08	1/2-13	100	
AYF09	9/16-12	50	
AYF10	5/8-11	50	
AYF12	3/4-10	50	
AYF14	7/8-9	25	
AYF16	1-8	25	
AYF18	1 1/8-7	25	
AYF20	1 1/4-7	25	
AYF22	1 3/8-6	10	
AYF24	1 1/2-6	10	
AYF28	1 3/4-5 (Plain)	5	
AYF32	2-4 1/2 (Plain)	5	

GRADE 8 - FINISHED HEX JAM NUT

ZINC PLATED, UNF
Line: 012-04



PART NUMBER	SIZE	QTY/BX	LIST PRICE
AYG04	1/4-28	100	
AYG05	5/16-24	100	
AYG06	3/8-24	100	
AYG07	7/16-20	100	
AYG08	1/2-20	100	
AYG09	9/16-18	50	
AYG10	5/8-18	50	
AYG12	3/4-16	50	
AYG14	7/8-14	25	
AYG16	1-14	25	
AYG18	1 1/8-12	25	

(continued...)

GRADE 8 - FINISHED HEX JAM NUT (cont.)

ZINC PLATED, UNF
Line: 012-04



PART NUMBER	SIZE	QTY/BX	LIST PRICE
AYG20	1 1/4-12	25	
AYG22	1 3/8-12	10	
AYG24	1 1/2-12	10	
AYG28	1 3/4-12 (Plain)	5	
AYG32	2-12 (Plain)	5	

GRADE 2 FINISHED HEX JAM NUT

PLAIN STEEL, UNC
Line: 013-00



PART NUMBER	SIZE	QTY/BX	LIST PRICE
FFU04	1/4-20	100	
FFU05	5/16-18	100	
FFU06	3/8-16	100	
FFU07	7/16-14	100	
FFU08	1/2-13	100	
FFU09	9/16-12	50	
FFU10	5/8-11	50	
FFU12	3/4-10	50	
FFU14	7/8-9	25	
FFU16	1-8	25	
FFU18	1 1/8-7	25	
FFU20	1 1/4-7	25	
FFU22	1 3/8-6	10	
FFU24	1 1/2-6	10	
FFU28	1 3/4-5	5	
FFU32	2-4 1/2	5	
FFU36	2 1/4-4 1/2	1	
FFU40	2 1/2-4	1	
FFU44	2 3/4-4	1	
FFU48	3-4	1	

GRADE 2 FINISHED HEX JAM NUT

PLAIN STEEL, UNF
Line: 014-00



PART NUMBER	SIZE	QTY/BX	LIST PRICE
FFS04	1/4-28	100	
FFS05	5/16-24	100	
FFS06	3/8-24	100	
FFS07	7/16-20	100	
FFS08	1/2-20	100	
FFS09	9/16-18	50	
FFS10	5/8-18	50	
FFS12	3/4-16	50	
FFS14	7/8-14	25	
FFS16	1-14	25	

(continued...)

GRADE 2 FINISHED HEX JAM NUT (cont.)

PLAIN STEEL, UNF

Line: 014-00



PART NUMBER	SIZE	QTY/BX	LIST PRICE
FFS18	1 1/8-12	25	
FFS20	1 1/4-12	25	
FFS22	1 3/8-12	10	
FFS24	1 1/2-12	10	
FFS26	1 5/8-12	1	
FFS28	1 3/4-12	5	
FFS30	1 7/8-12	5	
FFS32	2-12	5	
FFS36	2 1/4-12	1	
FFS40	2 1/2-12	1	
FFS48	3-12	1	

GRADE 5 - FINISHED HEX NUT

ZINC PLATED, UNC - MADE IN THE U.S.A.

Line: 014-10



PART NUMBER	SIZE	QTY/BX	LIST PRICE
BDJ04	1/4-20	100	
BDJ05	5/16-18	100	
BDJ06	3/8-16	100	
BDJ07	7/16-14	100	
BDJ08	1/2-13	100	
BDJ09	9/16-12	50	
BDJ10	5/8-11	50	
BDJ12	3/4-10	50	
BDJ14	7/8-9	25	
BDJ16	1-8	25	

GRADE 5 - FINISHED HEX NUT

ZINC PLATED, UNF - MADE IN THE U.S.A.

Line: 014-11



PART NUMBER	SIZE	QTY/BX	LIST PRICE
BDK04	1/4-28	100	
BDK05	5/16-24	100	
BDK06	3/8-24	100	
BDK07	7/16-20	100	
BDK08	1/2-20	100	
BDK09	9/16-18	50	
BDK10	5/8-18	50	
BDK12	3/4-16	50	
BDK14	7/8-14	25	
BDK16	1-14	25	

GRADE 5 - FINISHED HEX NUT

ZINC PLATED, UNC

Line: 014-12



PART NUMBER	SIZE	QTY/BX	LIST PRICE
APW04	1/4-20	100	
APW05	5/16-18	100	
APW06	3/8-16	100	
APW07	7/16-14	100	
APW08	1/2-13	100	
APW09	9/16-12	50	
APW10	5/8-11	50	
APW12	3/4-10	50	
APW14	7/8-9	25	
APW16	1-8	25	
APW18	1 1/8-7	10	
APW20	1 1/4-7	10	
APW24	1 1/2-6	10	

GRADE 5 - FINISHED HEX NUT

ZINC PLATED, UNF

Line: 014-13



PART NUMBER	SIZE	QTY/BX	LIST PRICE
APX04	1/4-28	100	
APX05	5/16-24	100	
APX06	3/8-24	100	
APX07	7/16-20	100	
APX08	1/2-20	100	
APX09	9/16-18	50	
APX10	5/8-18	50	
APX12	3/4-16	50	
APX14	7/8-14	25	
APX16	1-14	25	
APX20	1 1/4-12	10	
APX24	1 1/2-12	10	

GRADE 2 HEAVY HEX NUT

PLAIN STEEL, UNC

Line: 015-00



PART NUMBER	SIZE	QTY/BX	LIST PRICE
ATU04	1/4-20	100	
ATU05	5/16-18	100	
ATU06	3/8-16	100	
ATU07	7/16-14	100	
ATU08	1/2-13	100	
ATU09	9/16-12	50	
ATU10	5/8-11	50	
ATU12	3/4-10	25	
ATU14	7/8-9	25	
ATU16	1-8	25	

(continued...)

GRADE 2 HEAVY HEX NUT (cont.)

PLAIN STEEL, UNC
Line: 015-00



PART NUMBER	SIZE	QTY/BX	LIST PRICE
ATU18	1 1/8-7	25	
ATU20	1 1/4-7	15	
ATU22	1 3/8-6	10	
ATU24	1 1/2-6	10	
ATU26	1 5/8-5 1/2	5	
ATU28	1 3/4-5	5	
ATU32	2-4 1/2	5	
ATU36	2 1/4-4 1/2	5	
ATU40	2 1/2-4	1	
ATU44	2 3/4-4	1	
ATU48	3-4	1	
ATU52	3 1/4-4	1	
ATU56	3 1/2-4	1	
ATU64	4-4	1	

GRADE 2 HEAVY HEX NUT

ZINC PLATED, UNC
Line: 016-00



PART NUMBER	SIZE	QTY/BX	LIST PRICE
AUU04	1/4-20	100	
AUU05	5/16-18	100	
AUU06	3/8-16	100	
AUU07	7/16-14	100	
AUU08	1/2-13	100	
AUU09	9/16-12	50	
AUU10	5/8-11	50	
AUU12	3/4-10	25	
AUU14	7/8-9	25	
AUU16	1-8	25	
AUU18	1 1/8-7	25	
AUU20	1 1/4-7	15	
AUU22	1 3/8-6	10	
AUU24	1 1/2-6	10	
AUU26	1 5/8-5 1/2	5	
AUU28	1 3/4-5	5	
AUU32	2-4 1/2	5	
AUU36	2 1/4-4 1/2	1	
AUU40	2 1/2-4	1	
AUU44	2 3/4-4	1	
AUU48	3-4	1	
AUU52	3 1/4-4	1	
AUU56	3 1/2-4	1	
AUU64	4-4	1	

GRADE 2 HEAVY HEX JAM NUT

PLAIN STEEL, UNC
Line: 017-00



PART NUMBER	SIZE	QTY/BX	LIST PRICE
ADA04	1/4-20	100	
ADA05	5/16-18	100	
ADA06	3/8-16	100	
ADA07	7/16-14	100	
ADA08	1/2-13	100	
ADA09	9/16-12	50	
ADA10	5/8-11	50	
ADA12	3/4-10	50	
ADA14	7/8-9	25	
ADA16	1-8	25	
ADA18	1 1/8-7	25	
ADA20	1 1/4-7	15	
ADA22	1 3/8-6	15	
ADA24	1 1/2-6	10	
ADA26	1 5/8-5 1/2	5	
ADA28	1 3/4-5	5	
ADA32	2-4 1/2	5	
ADA36	2 1/4-4 1/2	1	
ADA40	2 1/2-4	1	
ADA44	2 3/4-4	1	
ADA48	3-4	1	
ADA52	3 1/4-4	1	
ADA56X	3 1/2-4	1	
ADA64	4	1	

GRADE 5 - HIGH HEX NUT

PLAIN STEEL, UNF
Line: 018-00



PART NUMBER	SIZE	QTY/BX	LIST PRICE
AKA06	3/8-24	100	
AKA07	7/16-20	100	
AKA08	1/2-20	100	
AKA09	9/16-18	50	
AKA10	5/8-18	50	
AKA12	3/4-16	25	
AKA14	7/8-14	25	
AKA16	1-14	25	
AKA18	1 1/8-12	15	
AKA20	1 1/4-12	15	
AKA24	1 1/2-12	10	

GRADE 5 - HIGH HEX NUT

ZINC PLATED, UNF

Line: 019-00



PART NUMBER	SIZE	QTY/BX	LIST PRICE
EAD06	3/8-24	100	
EAD07	7/16-20	100	
EAD08	1/2-20	50	
EAD09	9/16-18	50	
EAD10	5/8-18	50	
EAD12	3/4-16	25	
EAD14	7/8-14	25	
EAD16	1-14	25	
EAD18	1 1/8-12	15	
EAD20	1 1/4-12	15	
EAD24	1 1/2-12	10	

GRADE 8 - THICK NUT

ZINC/YELLOW, UNC - MADE IN THE U.S.A.

Line: 019-54



PART NUMBER	SIZE	QTY/BX	LIST PRICE
BDN04	1/4-20	100	
BDN05	5/16-18	100	
BDN06	3/8-16	100	
BDN07	7/16-14	100	
BDN08	1/2-13	100	
BDN10	5/8-11	50	
BDN12	3/4-10	25	

GRADE 8 - FINISHED HEX NUT

PLAIN STEEL, UNC

Line: 020-00



PART NUMBER	SIZE	QTY/BX	LIST PRICE
EEU04	1/4-20	100	
EEU05	5/16-18	100	
EEU06	3/8-16	100	
EEU07	7/16-14	100	
EEU08	1/2-13	100	
EEU09	9/16-12	50	
EEU10	5/8-11	50	
EEU12	3/4-10	50	
EEU14	7/8-9	25	
EEU16	1-8	25	
EEU18	1 1/8-7	25	
EEU20	1 1/4-7	10	
EEU22	1 3/8-6	10	
EEU24	1 1/2-6	10	
EEU28	1 3/4-5	5	
EEU32	2-4 1/2	1	

GRADE 8 - FINISHED HEX NUT

ZINC/YELLOW, UNC - MADE IN THE U.S.A.

Line: 019-50



PART NUMBER	SIZE	QTY/BX	LIST PRICE
BDR04	1/4-20	100	
BDR05	5/16-18	100	
BDR06	3/8-16	100	
BDR07	7/16-14	100	
BDR08	1/2-13	100	
BDR09	9/16-12	50	
BDR10	5/8-11	50	
BDR12	3/4-10	50	
BDR14	7/8-9	25	
BDR16	1-8	25	

GRADE 8 - FINISHED HEX NUT

ZINC/YELLOW, UNF - MADE IN THE U.S.A.

Line: 019-51



PART NUMBER	SIZE	QTY/BX	LIST PRICE
BDT04	1/4-28	100	
BDT05	5/16-24	100	
BDT06	3/8-24	100	
BDT07	7/16-20	100	
BDT08	1/2-20	100	
BDT09	9/16-18	50	
BDT10	5/8-18	50	
BDT12	3/4-16	50	
BDT14	7/8-14	25	
BDT16	1-14	25	

GRADE 8 - FINISHED HEX NUT

PLAIN STEEL, UNF

Line: 021-00



PART NUMBER	SIZE	QTY/BX	LIST PRICE
EES04	1/4-28	100	
EES05	5/16-24	100	
EES06	3/8-24	100	
EES07	7/16-20	100	
EES08	1/2-20	100	
EES09	9/16-18	50	
EES10	5/8-18	50	
EES12	3/4-16	50	
EES14	7/8-14	25	
EES16	1-14	25	
EES18	1 1/8-12	25	
EES20	1 1/4-12	10	
EES22	1 3/8-12	10	

(continued...)

GRADE 8 - FINISHED HEX NUT (cont.)

PLAIN STEEL, UNF

Line: 021-00



PART NUMBER	SIZE	QTY/BX	LIST PRICE
EES24	1 1/2-12	10	
EES28	1 3/4-12	1	
EES32	2-12	1	

GRADE 8 - FINISHED HEX NUT

ZINC/YELLOW, UNC

Line: 022-00



PART NUMBER	SIZE	QTY/BX	LIST PRICE
DND04	1/4-20	100	
DND05	5/16-18	100	
DND06	3/8-16	100	
DND07	7/16-14	100	
DND08	1/2-13	100	
DND09	9/16-12	50	
DND10	5/8-11	50	
DND12	3/4-10	50	
DND14	7/8-9	25	
DND16	1-8	25	
DND18	1 1/8-7	25	
DND20	1 1/4-7	10	
DND22	1 3/8-6	10	
DND24	1 1/2-6	10	
DND28	1 3/4-5	5	

GRADE 8 - FINISHED HEX NUT

ZINC/YELLOW, UNF

Line: 023-00



PART NUMBER	SIZE	QTY/BX	LIST PRICE
DPD04	1/4-28	100	
DPD05	5/16-24	100	
DPD06	3/8-24	100	
DPD07	7/16-20	100	
DPD08	1/2-20	100	
DPD09	9/16-18	50	
DPD10	5/8-18	50	
DPD12	3/4-16	50	
DPD14	7/8-14	25	
DPD16	1-14	25	
DPD18	1 1/8-12	25	
DPD20	1 1/4-12	10	
DPD22	1 3/8-12	10	
DPD24	1 1/2-12	10	

T9 ALLOY - THICK HEX NUT

YELLOW DICHROMATE, UNC

Line: 023-01



PART NUMBER	SIZE	QTY/BX	LIST PRICE
ACF04	1/4-20	100	
ACF05	5/16-18	50	
ACF06	3/8-16	50	
ACF07	7/16-14	25	
ACF08	1/2-13	25	
ACF09	9/16-12	25	
ACF10	5/8-11	25	
ACF12	3/4-10	20	
ACF14	7/8-9	15	
ACF16	1-8	10	
ACF18	1 1/8-7	10	
ACF20	1 1/4-7	10	
ACF24	1 1/2-6	6	

T9 ALLOY - THICK HEX NUT

YELLOW DICHROMATE, UNF

Line: 023-02



PART NUMBER	SIZE	QTY/BX	LIST PRICE
ACG04	1/4-28	100	
ACG05	5/16-24	100	
ACG06	3/8-24	100	
ACG07	7/16-20	25	
ACG08	1/2-20	25	
ACG09	9/16-18	25	
ACG10	5/8-18	25	
ACG12	3/4-16	20	
ACG14	7/8-14	15	
ACG16	1-14	10	
ACG18	1 1/8-12	10	
ACG20	1 1/4-12	10	
ACG24	1 1/2-12	6	

T9 - STOVER LOCK NUT

YELLOW DICHROMATE, UNC

Line: 023-03



PART NUMBER	SIZE	QTY/BX	LIST PRICE
ACH04	1/4-20	100	
ACH05	5/16-18	100	
ACH06	3/8-16	50	
ACH07	7/16-14	25	
ACH08	1/2-13	25	
ACH09	9/16-12	25	
ACH10	5/8-11	25	
ACH12	3/4-10	20	
ACH14	7/8-9	15	
ACH16	1-8	10	

(continued...)

T9 - STOVER LOCK NUT (cont.)

YELLOW DICHROMATE, UNC

Line: 023-03



PART NUMBER	SIZE	QTY/BX	LIST PRICE
ACH18	1 1/8-7	10	
ACH20	1 1/4-7	10	
ACH24	1 1/2-6	5	

T9 STOVER LOCK NUT

YELLOW DICHROMATE, UNF

Line: 023-04



PART NUMBER	SIZE	QTY/BX	LIST PRICE
ACJ04	1/4-28	100	
ACJ05	5/16-24	100	
ACJ06	3/8-24	50	
ACJ07	7/16-20	25	
ACJ08	1/2-20	25	
ACJ09	9/16-18	25	
ACJ10	5/8-18	50	
ACJ12	3/4-16	20	
ACJ14	7/8-14	15	
ACJ16	1-14	10	
ACJ18	1 1/8-12	10	
ACJ20	1 1/4-12	10	
ACJ24	1 1/2-12	6	

GRADE G - FLANGE LOCK NUT

YELLOW DICHROMATE, UNC

Line: 023-05



PART NUMBER	SIZE	QTY/BX	LIST PRICE
JFS04	1/4-20	100	
JFS05	5/16-18	100	
JFS06	3/8-16	100	
JFS06GF	3/8-16 (Clear Zinc)	100	
JFS07	7/16-14	100	
JFS08	1/2-13	50	
JFS10	5/8-11	50	
JFS12	3/4-10	25	
JFS14	7/8-9	25	
JFS16	1-8	25	

GRADE G - FLANGE LOCK NUT

YELLOW DICHROMATE, UNF

Line: 023-06



PART NUMBER	SIZE	QTY/BX	LIST PRICE
JGS07	7/16-20	100	
JGS08	1/2-20	50	
JGS10	5/8-18	50	
JGS12	3/4-16	25	
JGS14	7/8-14	25	
JGS16	1-14	25	

GRADE G FLANGE LOCK NUT

BLACK PHOSPHATE/OIL, UNC - MADE IN THE U.S.A.

Line: 023-07



PART NUMBER	SIZE	QTY/BX	LIST PRICE
BDP06	3/8-16	100	
BDP07	7/16-14	100	
BDP08	1/2-13	50	
BDP10	5/8-11	25	

GRADE 8 - HIGH HEX NUT

HEAT TREATED PLAIN STEEL, UNF

Line: 024-00



PART NUMBER	SIZE	QTY/BX	LIST PRICE
EBD08	1/2-20	100	
EBD09	9/16-18	50	
EBD10	5/8-18	50	
EBD12	3/4-16	50	
EBD14	7/8-14	25	
EBD16	1-14	25	
EBD18	1 1/8-12	15	
EBD20	1 1/4-12	15	
EBD24	1 1/2-12	10	

GRADE 8 - HIGH HEX NUT

HEAT TREATED ZINC PLATED, UNF

Line: 025-00



PART NUMBER	SIZE	QTY/BX	LIST PRICE
ECD08	1/2-20	100	
ECD09	9/16-18	50	
ECD10	5/8-18	50	
ECD12	3/4-16	50	
ECD14	7/8-14	25	
ECD16	1-14	25	
ECD18	1 1/8-12	15	
ECD20	1 1/4-12	15	
ECD24	1 1/2-12	10	

A563-C HEAVY HEX STRUCTURAL NUT

(A325) PLAIN STEEL, UNC

Line: 026-00



PART NUMBER	SIZE	QTY/BX	LIST PRICE
UHU08	1/2-13	100	
UHU10	5/8-11	50	
UHU12	3/4-10	25	
UHU14	7/8-9	25	
UHU16	1-8	25	
UHU18	1 1/8-7	15	
UHU20	1 1/4-7	15	
UHU22	1 3/8-6	10	
UHU24	1 1/2-6	10	

A563-C HEAVY HEX STRUCTURAL NUT

(A325) ZINC PLATED, UNC

Line: 027-00

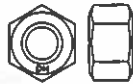


PART NUMBER	SIZE	QTY/BX	LIST PRICE
HKD08	1/2-13	100	
HKD10	5/8-11	50	
HKD12	3/4-10	25	
HKD14	7/8-9	25	
HKD16	1-8	25	
HKD18	1 1/8-7	15	
HKD20	1 1/4-7	15	
HKD22	1 3/8-6	10	
HKD24	1 1/2-6	10	

HEAVY HEX NUT (GRADE DH)

PLAIN STEEL & HOT-DIP GALVANIZED, UNC

Line: 027-01

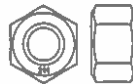


PART NUMBER	SIZE	QTY/BX	LIST PRICE
CGR06	3/8-16	100	
CGR08	1/2-13	100	
CGR08G	1/2-13 (HOT-DIP GALVANIZED)	100	
CGR10	5/8-11	50	
CGR10G	5/8-11 (HOT-DIP GALVANIZED)	50	
CGR12	3/4-10	25	
CGR12G	3/4-10 (HOT-DIP GALVANIZED)	25	
CGR14	7/8-9	25	
CGR14G	7/8-9 (HOT-DIP GALVANIZED)	25	
CGR16	1-8	25	
CGR16G	1-8 (HOT-DIP GALVANIZED)	25	

HEAVY HEX NUT A194

PLAIN STEEL, UNC - GRADE 2H

Line: 028-00



PART NUMBER	SIZE	QTY/BX	LIST PRICE
HHU04	1/4-20	100	
HHU05X	5/16-18	100	
HHU06	3/8-16	100	
HHU07	7/16-14	100	
HHU08	1/2-13	100	
HHU09	9/16-12	50	
HHU10	5/8-11	50	
HHU12	3/4-10	25	
HHU14	7/8-9	25	
HHU16	1-8	25	
HHU18	1 1/8-7	15	
HHU20	1 1/4-7	15	
HHU22	1 3/8-6	10	
HHU24	1 1/2-6	10	
HHU26	1 5/8-5 1/2	5	

(continued...)

HEAVY HEX NUT A194 (cont.)

PLAIN STEEL, UNC - GRADE 2H

Line: 028-00



PART NUMBER	SIZE	QTY/BX	LIST PRICE
HHU28	1 3/4-5	5	
HHU32	2-4 1/2	5	
HHU36	2 1/4-4 1/2	1	
HHU40	2 1/2-4	1	
HHU44	2 3/4-4	1	
HHU44JX	2 3/4-4	1	
HHU48	3-4	1	

HEAVY HEX NUT A194 (GRADE 2H)

PLAIN STEEL, UN8

Line: 029-00



PART NUMBER	SIZE	QTY/BX	LIST PRICE
HHH18	1 1/8-8	15	
HHH20	1 1/4-8	15	
HHH22	1 3/8-8	10	
HHH24	1 1/2-8	10	
HHH26	1 5/8-8	5	
HHH28	1 3/4-8	5	
HHH30	1 7/8-8	5	
HHH32	2-8	5	
HHH36	2 1/4-8	1	
HHH40	2 1/2-8	1	
HHH44	2 3/4-8	1	
HHH48	3-8	1	
HHH56	3 1/2-8	1	

HEAVY HEAT TREATED WHEEL NUT

ZINC PLATED, UNC

Line: 030-00

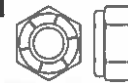


PART NUMBER	SIZE	QTY/BX	LIST PRICE
WWW10	5/8-11	50	
WWW12	3/4-10	25	

HEX MACH SCREW NYLON INSERT LOCK NUT

ZINC PLATED, UNC

Line: 031-00



PART NUMBER	SIZE	QTY/BX	LIST PRICE
AWU22X	#2-56	100	
AWU44	#4-40	100	
AWU55	#5-40	100	
AWU66	#6-32 NTM	100	
AWU88	#8-32 NTM	100	
AWU03	#10-24 NTM	100	
AWU21	#12-24 NTM	100	

HEX MACH SCREW NYLON INSERT LOCK NUT

Zinc Plated, UNF

Line: 032-00



PART NUMBER	SIZE	QTY/BX	LIST PRICE
AWS03	#10-32 NTM	100	

HEAVY HEX NUT A194 (GRADE 2H)

ZINC PLATED, UNC

Line: 033-00



PART NUMBER	SIZE	QTY/BX	LIST PRICE
HHD04	1/4-20	100	
HHD05	5/16-18	100	
HHD06	3/8-16	100	
HHD07	7/16-14	100	
HHD08	1/2-13	100	
HHD09	9/16-12	50	
HHD10	5/8-11	50	
HHD12	3/4-10	25	
HHD14	7/8-9	25	
HHD16	1-8	25	
HHD18	1 1/8-7	15	
HHD20	1 1/4-7	15	
HHD22	1 3/8-6	10	
HHD24	1 1/2-6	10	
HHD28	1 3/4-5	5	
HHD32	2-4 1/2	5	
HHD36	2 1/4-4 1/2	1	

HEAVY HEX NUT A194 (GRADE 2H)

Zinc Plated, UN8

Line: 034-00

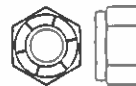


PART NUMBER	SIZE	QTY/BX	LIST PRICE
HJD18	1 1/8-8	15	
HJD20	1 1/4-8	15	
HJD22	1 3/8-8	10	
HJD24	1 1/2-8	10	
HJD28	1 3/4-8	5	
HJD32	2-8	1	

FIN HEX NYLON INSERT LOCK NUT

GRADE 2 - ZINC PLATED, UNC

Line: 035-00



PART NUMBER	SIZE	QTY/BX	LIST PRICE
AVU44	#4-40	100	
AVU55	#5-40	100	
AVU66	#6-32 NM	100	
AVU88	#8-32 NM	100	
AVU03	#10-24 NM	100	
AVU21X	#12-24 NM	100	
AVU04	1/4-20	100	

(continued...)

FIN HEX NYLON INSERT LOCK NUT (cont.)

GRADE 2 - ZINC PLATED, UNC

Line: 035-00



PART NUMBER	SIZE	QTY/BX	LIST PRICE
AVU05	5/16-18	100	
AVU06	3/8-16	100	
AVU07	7/16-14	100	
AVU08	1/2-13	100	
AVU09	9/16-12	50	
AVU10	5/8-11	50	
AVU12	3/4-10	25	
AVU14	7/8-9	25	
AVU16	1-8	25	
AVU18	1 1/8-7	10	
AVU20	1 1/4-7	10	
AVU22	1 3/8-6	10	
AVU24	1 1/2-6	10	

FINISHED HEX NYLON INSERT LOCK NUT

GRADE 2 - ZINC PLATED, UNF

Line: 036-00

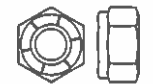


PART NUMBER	SIZE	QTY/BX	LIST PRICE
AVS03	#10-32 NM	100	
AVS04	1/4-28	100	
AVS05	5/16-24	100	
AVS06	3/8-24	100	
AVS07	7/16-20	100	
AVS08	1/2-20	100	
AVS09	9/16-18	50	
AVS10	5/8-18	50	
AVS12	3/4-16	25	
AVS14	7/8-14	25	
AVS16	1-14	25	
AVS18	1 1/8-12	10	
AVS20	1 1/4-12	10	
AVS24	1 1/2-12	10	
AVS32	2-12 (NU Series)	5	

FIN HEX JAM NYLON INSERT LOCK NUT

GRADE 2 - ZINC PLATED, UNC

Line: 037-00



PART NUMBER	SIZE	QTY/BX	LIST PRICE
AXU04	1/4-20	100	
AXU05	5/16-18	100	
AXU06	3/8-16	100	
AXU07	7/16-14	100	
AXU08	1/2-13	100	
AXU09	9/16-12	50	
AXU10	5/8-11	50	

(continued...)

FIN HEX JAM NYLON INSERT LOCK NUT (cont.)

GRADE 2 - ZINC PLATED, UNC

Line: 037-00



PART NUMBER	SIZE	QTY/BX	LIST PRICE
AXU12	3/4-10	50	
AXU14	7/8-9	25	
AXU16	1-8	25	
AXU20	1 1/4-7	15	
AXU24	1 1/2-6	10	

FIN HEX JAM NYLON INSERT LOCK NUT

GRADE 2 - ZINC PLATED, UNF

Line: 038-00



PART NUMBER	SIZE	QTY/BX	LIST PRICE
AXS04	1/4-28	100	
AXS05	5/16-24	100	
AXS06	3/8-24	100	
AXS07	7/16-20	100	
AXS08	1/2-20	100	
AXS09	9/16-18	50	
AXS10	5/8-18	50	
AXS12	3/4-16	50	
AXS14	7/8-14	25	
AXS16	1-14	25	
AXS18	1 1/8-12	15	
AXS20	1 1/4-12	15	
AXS22	1 3/8-12	10	
AXS24	1 1/2-12	10	
AXS32X	2-12 (Heavy)	1	
AXS36X	2 1/4-12 (Heavy)	1	
AXS40X	2 1/2-12 (Plain)	1	

HEAVY HEX NYLON INSERT LOCK NUT

GRADE 2 - ZINC PLATED, UNC

Line: 039-00



PART NUMBER	SIZE	QTY/BX	LIST PRICE
AGA04	1/4-20	100	
AGA05	5/16-18	100	
AGA06	3/8-16	100	
AGA07	7/16-14	100	
AGA08	1/2-13	100	
AGA09	9/16-12	50	
AGA10	5/8-11	25	
AGA12	3/4-10	25	
AGA14	7/8-9	25	
AGA16	1-8	25	
AGA18	1 1/8-7	15	
AGA20	1 1/4-7	25	
AGA24	1 1/2-6	15	
AGA32	2-4 1/2	1	

HVY HEX JAM NYLON INSERT LOCK NUT

GRADE 2 - ZINC PLATED, UNC

Line: 040-00



PART NUMBER	SIZE	QTY/BX	LIST PRICE
AHA04	1/4-20	100	
AHA06	3/8-16	100	
AHA07	7/16-14	100	
AHA08	1/2-13	100	
AHA09	9/16-12	50	
AHA10	5/8-11	50	
AHA12	3/4-10	25	
AHA14	7/8-9	25	
AHA16	1-8	25	
AHA18	1 1/8-7	15	
AHA18X	1 1/8-12	15	
AHA24	1 1/2-6 (Plain)	10	
AHA32	2-4 1/2	1	

HIGH HEX NYLON INSERT LOCK NUT

ZINC PLATED, UNF

Line: 041-00



PART NUMBER	SIZE	QTY/BX	LIST PRICE
AJA06	3/8-24	100	
AJA07	7/16-20	100	
AJA08	1/2-20	100	
AJA10	5/8-18	25	
AJA12	3/4-16	25	
AJA14	7/8-14	25	
AJA16	1-14	10	
AJA18	1 1/8-12	10	
AJA20	1 1/4-12	10	

NYLON INSERT LOCK NUT (GRADE 8)

ZINC/YELLOW, UNC & UNF

Line: 041-01



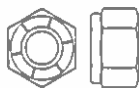
PART NUMBER	SIZE	QTY/BX	LIST PRICE
JXFU04X	1/4-20	100	
JXFS04X	1/4-28	100	
JXFU05X	5/16-18	100	
JXFS05X	5/16-24	100	
JXFU06X	3/8-16	100	
JXFS06X	3/8-24	100	
JXFU07X	7/16-14	100	
JXFS07X	7/16-20	100	
JXFU08X	1/2-13	100	
JXFS08X	1/2-20	100	
JXFU09	9/16-12	50	
JXFS09	9/16-18	50	
JXFU10X	5/8-11	50	
JXFS10X	5/8-18	50	

(continued...)

NYLON INSERT LOCK NUT (GRADE 8) (cont.)

ZINC/YELLOW, UNC & UNF

Line: 041-01

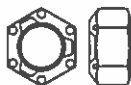


PART NUMBER	SIZE	QTY/BX	LIST PRICE
JXFU12X	3/4-10	50	
JXFS12	3/4-16	50	
JXFU14X	7/8-9	50	
JXFS14	7/8-14	25	
JXFU16X	1-8	25	
JXFS16	1-14	25	
JXFU18X	1 1/8-7	5	
JXFS18	1 1/8-12	1	
JXFU20X	1 1/4-7	10	
JXFS20	1 1/4-12	25	
JXFU22	1 3/8-6	1	
JXFS22	1 3/8-12	1	
JXFU24X	1 1/2-6	10	
JXFS24X	1 1/2-12	10	
JXFU28	1 3/4-5	1	
JXFS28	1 3/4-12	1	
JXFU32	2-4 1/2	1	
JXFS32	2-12	1	

ALL METAL LOCK NUT (GRADE C)

CADMIUM/WAX, UNC (PREVAILING TORQUE)

Line: 042-00

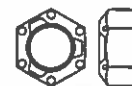


PART NUMBER	SIZE	QTY/BX	LIST PRICE
BRU04	1/4-20	100	
BRU05	5/16-18	100	
BRU06	3/8-16	100	
BRU07	7/16-14	100	
BRU08	1/2-13	100	
BRU09	9/16-12	50	
BRU10	5/8-11	50	
BRU12	3/4-10	25	
BRU14	7/8-9	25	
BRU16	1-8	25	
BRU18	1 1/8-7	15	
BRU20	1 1/4-7	15	
BRU22	1 3/8-6 (Full Collar)	10	
BRU24	1 1/2-6	10	
BRU32	2-4 1/2 (Collar)	5	

ALL METAL LOCK NUT (GRADE C)

CADMIUM/WAX, UNF (PREVAILING TORQUE)

Line: 043-00

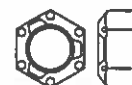


PART NUMBER	SIZE	QTY/BX	LIST PRICE
BRS04	1/4-28	100	
BRS05	5/16-24	100	
BRS06	3/8-24	100	
BRS07	7/16-20	100	
BRS08	1/2-20	100	
BRS09	9/16-18	50	
BRS10	5/8-18	50	
BRS12	3/4-16	25	
BRS14	7/8-14	25	
BRS16	1-14	25	
BRS18	1 1/8-12	15	
BRS20	1 1/4-12	15	
BRS22	1 3/8-12	10	
BRS24	1 1/2-12	10	

ALL METAL LOCK NUT (GRADE C) - USA

CADMIUM/WAX, UNC - MADE IN THE USA

Line: 043-01

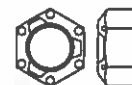


PART NUMBER	SIZE	QTY/BX	LIST PRICE
BDW04	1/4-20	100	
BDW05	5/16-18	100	
BDW06	3/8-16	100	
BDW07	7/16-14	100	
BDW08	1/2-13	100	
BDW09	9/16-12	50	
BDW10	5/8-11	50	
BDW12	3/4-10	50	
BDW14	7/8-9	25	

ALL METAL LOCK NUT (GRADE C) - USA

CADMIUM/WAX, UNF - MADE IN THE USA

Line: 043-02

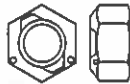


PART NUMBER	SIZE	QTY/BX	LIST PRICE
BDX04	1/4-28	100	
BDX05	5/16-24	100	
BDX06	3/8-24	100	
BDX07	7/16-20	100	
BDX08	1/2-20	100	
BDX09	9/16-18	50	
BDX10	5/8-18	50	
BDX12	3/4-16	50	
BDX14	7/8-14	25	

ALL METAL LOCK NUT (GRADE B)

ZINC PLATED, UNC - PREVAILING TORQUE

Line: 044-00

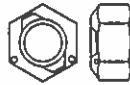


PART NUMBER	SIZE	QTY/BX	LIST PRICE
BSU04	1/4-20	100	
BSU05	5/16-18	100	
BSU06	3/8-16	100	
BSU07	7/16-14	100	
BSU08	1/2-13	100	
BSU09	9/16-12	50	
BSU10	5/8-11	50	
BSU12	3/4-10	25	
BSU14	7/8-9	25	
BSU16	1-8	25	
BSU18	1 1/8-7	15	
BSU20	1 1/4-7	15	

ALL METAL LOCK NUT (GRADE B)

ZINC PLATED, UNF - PREVAILING TORQUE

Line: 045-00

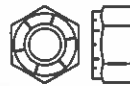


PART NUMBER	SIZE	QTY/BX	LIST PRICE
BSS04	1/4-28	100	
BSS05	5/16-24	100	
BSS06	3/8-24	100	
BSS07	7/16-20	100	
BSS08	1/2-20	100	
BSS09	9/16-18	50	
BSS10	5/8-18	50	
BSS12	3/4-16	25	
BSS14	7/8-14	25	
BSS16	1-14	25	
BSS18	1 1/8-12	15	
BSS20	1 1/4-12	15	

LIGHT HEX FLEXLOC NUT

CADMIUM, UNC - FULL HEIGHT

Line: 046-00



PART NUMBER	SIZE	QTY/BX	LIST PRICE
BTU21FA256	#2-56	100	
BTU21FA348	#3-48	100	
BTU21FA440	#4-40	100	
BTU21FA540	#5-40	100	
BTU21FA632	#6-32	100	
BTU21FA832	#8-32	100	
BTU21FA1024	#10-24	100	
BTU21FA1224	#12-24	100	
BTU21FA420	1/4-20	100	
BTU21FAF518	5/16-18	100	
BTU21FAF616	3/8-16	100	

(continued...)

LIGHT HEX FLEXLOC NUT (cont.)

CADMIUM, UNC - FULL HEIGHT

Line: 046-00

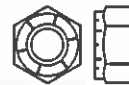


PART NUMBER	SIZE	QTY/BX	LIST PRICE
BTU21FAF714	7/16-14	100	
BTU21FAF813	1/2-13	100	
BTU31FA912	9/16-12	50	
BTU31FAF1011	5/8-11	50	
BTU31FAF1210	3/4-10	50	
BTU31FAF1409	7/8-9	25	
BTU31FAF1608	1-8	25	

LIGHT HEX FLEXLOC NUT

PLAIN STEEL, UNC - FULL HEIGHT

Line: 046-01



PART NUMBER	SIZE	QTY/BX	LIST PRICE
JJK20FA256	#2-56	100	
JJK20FA348	#3-48	100	
JJK20FA440	#4-40	100	
JJK20FA540	#5-40	100	
JJK20FA632	#6-32	100	
JJK20FA832	#8-32	100	
JJK20FA1024	#10-24	100	
JJK20FA1224	#12-24	100	
JJK20FA420	1/4-20	100	
JJK20FAF518	5/16-18	100	
JJK20FAF616	3/8-16	100	
JJK20FAF714	7/16-14	100	
JJK20FAF813	1/2-13	100	
JJK30FA912	9/16-12	50	
JJK30FAF1011	5/8-11	50	
JJK30FAF1210	3/4-10	50	
JJK30FAF1409	7/8-9	25	
JJK30FAF1608	1-8	25	

LIGHT HEX FLEXLOC NUT

CADMIUM, UNC - FULL HEIGHT

Line: 047-00



PART NUMBER	SIZE	QTY/BX	LIST PRICE
BTS21FC264	#2-64	100	
BTS21FC356	#3-56	100	
BTS21FC448	#4-48	100	
BTS21FC640	#6-40	100	
BTS21FC836	#8-36	100	
BTS21FC1032	#10-32	100	
BTS21FC1228	#12-28	100	
BTS21FC428	1/4-28	100	
BTS21FC524	5/16-24	100	
BTS21FC624	3/8-24	100	

(continued...)

LIGHT HEX FLEXLOC NUT (cont.)

CADMIUM, UNC - FULL HEIGHT

Line: 047-00



PART NUMBER	SIZE	QTY/BX	LIST PRICE
BTS21FC720	7/16-20	100	
BTS21FC820	1/2-20	100	
BTS31FC918	9/16-18	50	
BTS31FC1018	5/8-18	50	
BTS31FC1216	3/4-16	50	
BTS31FC1414	7/8-14	25	
BTS31FC1612	1-12	25	
BTS31FC1614	1-14	25	
BTS31FC1812	1 1/8-12	25	
BTS31FC2012	1 1/4-12	25	
BTS31FC2212	1 3/8-12	10	
BTS31FC2412	1 1/2-12	10	

LIGHT HEX FLEXLOC NUT

PLAIN STEEL, UNC - FULL HEIGHT

Line: 047-01



PART NUMBER	SIZE	QTY/BX	LIST PRICE
JKK20FC264	#2-64	100	
JKK20FC356	#3-56	100	
JKK20FC448	#4-48	100	
JKK20FC544	#5-44	100	
JKK20FC640	#6-40	100	
JKK20FC836	#8-36	100	
JKK20FC1032	#10-32	100	
JKK20FC1228	#12-28	100	
JKK20FC428	1/4-28	100	
JKK20FC524	5/16-24	100	
JKK20FC624	3/8-24	100	
JKK20FC720	7/16-20	100	
JKK20FC820	1/2-20	100	
JKK30FC918	9/16-18	50	
JKK30FC1018	5/8-18	50	
JKK30FC1216	3/4-16	50	
JKK30FC1414	7/8-14	25	
JKK30FC1612	1-12	25	
JKK30FC1614	1-14	25	
JKK30FC1812	1 1/8-12	25	
JKK30FC2012	1 1/4-12	25	
JKK30FC2212	1 3/8-12	10	
JKK30FC2412	1 1/2-12	10	

LIGHT HEX JAM FLEXLOC NUT

CADMIUM, UNC - THIN HEIGHT

Line: 048-00



PART NUMBER	SIZE	QTY/BX	LIST PRICE
BUU21FK632	#6-32	100	
BUU21FK832	#8-32	100	
BUU21FK1024	#10-24	100	
BUU21FK420	1/4-20	100	
BUU21FKF518	5/16-18	100	
BUU21FKF616	3/8-16	100	
BUU21FKF714	7/16-14	100	
BUU21FKF813	1/2-13	100	
BUU31FK912	9/16-12	50	
BUU31FKF1011	5/8-11	50	
BUU31FKF1210	3/4-10	50	
BUU31FKF1409	7/8-9	25	
BUU31FKF1608	1-8	25	

LIGHT HEX JAM FLEXLOC NUT

PLAIN STEEL, UNC - THIN HEIGHT

Line: 048-01



PART NUMBER	SIZE	QTY/BX	LIST PRICE
JLK20FK632	#6-32	100	
JLK20FK832	#8-32	100	
JLK20FK1024	#10-24	100	
JLK20FK420	1/4-20	100	
JLK20FKF518	5/16-18	100	
JLK20FKF616	3/8-16	100	
JLK20FKF714	7/16-14	100	
JLK20FKF813	1/2-13	100	
JLK30FK912	9/16-12	50	
JLK30FKF1011	5/8-11	50	
JLK30FKF1210	3/4-10	50	
JLK30FKF1409	7/8-9	25	
JLK30FKF1608	1-8	25	

LIGHT HEX JAM FLEXLOC NUT

CADMIUM, UNF - THIN HEIGHT

Line: 049-00



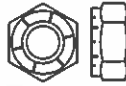
PART NUMBER	SIZE	QTY/BX	LIST PRICE
BUS21FK640	#6-40	100	
BUS21FK1032	#10-32	100	
BUS21FK428	1/4-28	100	
BUS21FK524	5/16-24	100	
BUS21FK624	3/8-24	100	
BUS21FK720	7/16-20	100	
BUS21FK820	1/2-20	100	
BUS31FK1018	5/8-18	50	
BUS31FK1216	3/4-16	50	
BUS31FK1612	1-12	25	

(continued...)

LIGHT HEX JAM FLEXLOC NUT (cont.)

CADMIUM, UNF - THIN HEIGHT

Line: 049-00



PART NUMBER	SIZE	QTY/BX	LIST PRICE
BUS31FK1812	1 1/8-12	25	
BUS31FK2012	1 1/4-12	25	
BUS31FK2212	1 3/8-12	10	
BUS31FK2412	1 1/2-12	10	

LIGHT HEX JAM FLEXLOC NUT

PLAIN STEEL, UNF - THIN HEIGHT

Line: 049-01

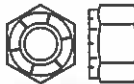


PART NUMBER	SIZE	QTY/BX	LIST PRICE
JMK20FK640	#6-40	100	
JMK20FK836	#8-36	100	
JMK20FK1032	#10-32	100	
JMK20FK428	1/4-28	100	
JMK20FK524	5/16-24	100	
JMK20FK624	3/8-24	100	
JMK20FK820	1/2-20	100	
JMK30FK1018	5/8-18	50	
JMK30FK1216	3/4-16	50	
JMK30FK1614	1-14	25	
JMK30FK1812	1 1/8-12	25	
JMK30FK2012	1 1/4-12	25	
JMK30FK2212	1 3/8-12	10	
JMK30FK2412	1 1/2-12	10	

HEAVY HEX FLEXLOC NUT

PLAIN STEEL, UNC - FULL HEIGHT

Line: 050-00

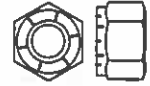


PART NUMBER	SIZE	QTY/BX	LIST PRICE
APA20FAC420	1/4-20	100	
APA20FA518	5/16-18	100	
APA20FA616	3/8-16	100	
APA20FA714	7/16-14	100	
APA20FA813	1/2-13	100	
APA30FAC912	9/16-12	50	
APA30FA1011	5/8-11	50	
APA30FA1210	3/4-10	50	
APA30FA1409	7/8-9	25	
APA30FA1608	1-8	25	
APA30FN1807	1 1/8-7	25	
APA30FN2007	1 1/4-7	25	
APA30FN2406	1 1/2-6	10	
APA30FN2605	1 5/8-5 1/2	5	
APA30FN2805	1 3/4-5	5	
APA30FN3005	1 7/8-5	5	
APA30FN3204	2-4 1/2	5	

HEAVY HEX FLEXLOC NUT

CADMIUM, UNC - FULL HEIGHT

Line: 050-01



PART NUMBER	SIZE	QTY/BX	LIST PRICE
JNK21FAC420	1/4-20	100	
JNK21FA518	5/16-18	100	
JNK21FA616	3/8-16	100	
JNK21FA813	1/2-13	100	
JNK31FA1011	5/8-11	50	
JNK31FA1210	3/4-10	50	
JNK31FA1409	7/8-9	25	
JNK31FA1608	1-8	25	
JNK31FN1807	1 1/8-7	25	
JNK31FN2007	1 1/4-7	25	
JNK31FN2206	1 3/8-6	10	
JNK31FN2406	1 1/2-6	10	
JNK31FN2605	1 5/8-5 1/2	5	
JNK31FN2805	1 3/4-5	5	
JNK31FN3005	1 7/8-5	5	
JNK31FN3204	2-4 1/2	5	

HEAVY HEX JAM FLEXLOC NUT

PLAIN STEEL, UNC - THIN HEIGHT

Line: 051-00



PART NUMBER	SIZE	QTY/BX	LIST PRICE
AUA20FK518	5/16-18	100	
AUA20FK616	3/8-16	100	
AUA20FK813	1/2-13	100	
AUA30FKC912	9/16-12	50	
AUA30FK1011	5/8-11	50	
AUA30FK1210	3/4-10	50	
AUA30FK1409	7/8-9	25	
AUA30FK1608	1-8	25	
AUA30FK1807	1 1/8-7	25	
AUA30FK2007	1 1/4-7	10	
AUA30FK2206	1 3/8-6	10	
AUA30FK2406	1 1/2-6	10	

HEAVY HEX JAM FLEXLOC NUT

CADMIUM, UNC - THIN HEIGHT

Line: 051-01



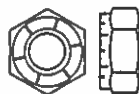
PART NUMBER	SIZE	QTY/BX	LIST PRICE
JPK21FKC420	1/4-20	100	
JPK21FK518	5/16-18	100	
JPK21FK616	3/8-16	100	
JPK21FK714M10	7/16-14	10	
JPK21FK813	1/2-13	100	
JPK31FKC912	9/16-12	50	
JPK31FK1011	5/8-11	50	
JPK31FK1210	3/4-10	50	

(continued...)

HEAVY HEX JAM FLEXLOC NUT (cont.)

CADMIUM, UNC - THIN HEIGHT

Line: 051-01



PART NUMBER	SIZE	QTY/BX	LIST PRICE
JPK31FK1409	7/8-9	25	
JPK31FK1608	1-8	25	
JPK31FK1807	1 1/8-7	25	
JPK31FK2007	1 1/4-7	10	
JPK31FK2206	1 3/8-6	10	
JPK31FK2406	1 1/2-6	10	

ALL METAL 2-WAY CENTER LOCK NUT

ZINC PLATED, UNC - GRADE A

Line: 052-00



PART NUMBER	SIZE	QTY/BX	LIST PRICE
BXU88	#8-32	100	
BXU04	1/4-20	100	
BXU05	5/16-18	100	
BXU06	3/8-16	100	
BXU07	7/16-14	100	
BXU08	1/2-13	100	
BXU09	9/16-12	50	
BXU10	5/8-11	50	
BXU12	3/4-10	50	
BXU14	7/8-9	25	
BXU16	1-8	25	

ALL METAL 2-WAY CENTER LOCK NUT

ZINC PLATED, UNF - GRADE A

Line: 053-00

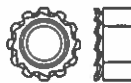


PART NUMBER	SIZE	QTY/BX	LIST PRICE
BXS04	1/4-28	100	
BXS05	5/16-24	100	
BXS06	3/8-24	100	
BXS07	7/16-20	100	
BXS08	1/2-20	100	
BXS09	9/16-18	50	
BXS10	5/8-18	50	
BXS12	3/4-16	50	
BXS14	7/8-14	25	
BXS16	1-14	25	

HEX "K" LOCK NUT (KEPS)

ZINC PLATED, UNC

Line: 054-00



PART NUMBER	SIZE	QTY/BX	LIST PRICE
BCU44	#4-40	100	
BCU55	#5-40	100	
BCU66	#6-32	100	
BCU88	#8-32	100	
BCU03	#10-24	100	

(continued...)

HEX "K" LOCK NUT (KEPS) (cont.)

ZINC PLATED, UNC

Line: 054-00

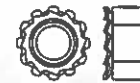


PART NUMBER	SIZE	QTY/BX	LIST PRICE
BCU21	#12-24	100	
BCU04	1/4-20	100	
BCU05	5/16-18	100	
BCU06	3/8-16	100	

HEX "K" LOCK NUT (KEPS)

ZINC PLATED, UNF

Line: 055-00



PART NUMBER	SIZE	QTY/BX	LIST PRICE
BCS03	#10-32	100	
BCS04	1/4-28	100	
BCS05	5/16-24	100	
BCS06	3/8-24	100	

GRADE 2 FINISHED HEX CASTLE NUT

ZINC PLATED, UNF

Line: 059-00

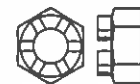


PART NUMBER	SIZE	QTY/BX	LIST PRICE
KKS04	1/4-28	100	
KKS05	5/16-24	100	
KKS06	3/8-24	100	
KKS07	7/16-20	100	
KKS08	1/2-20	100	
KKS09	9/16-18	50	
KKS10	5/8-18	50	
KKS12	3/4-16	25	
KKS14	7/8-14	25	
KKS16	1-14	25	
KKS16G5	1-14 (Grade 5)	25	
KKS18	1 1/8-12	15	
KKS20	1 1/4-12	15	
KKS22	1 3/8-12	10	
KKS24	1 1/2-12	10	
KKS28	1 3/4-12	5	
KKS32	2-12	5	

GRADE 2 FINISHED HEX CASTLE NUT

PLAIN STEEL, UNC

Line: 060-00



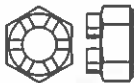
PART NUMBER	SIZE	QTY/BX	LIST PRICE
LLU05	5/16-18	100	
LLU06	3/8-16	100	
LLU07	7/16-14	100	
LLU08	1/2-13	100	
LLU09	9/16-12	50	
LLU10	5/8-11	50	
LLU12	3/4-10	25	

(continued...)

GRADE 2 FINISHED HEX CASTLE NUT (cont.)

PLAIN STEEL, UNC

Line: 060-00

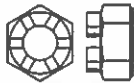


PART NUMBER	SIZE	QTY/BX	LIST PRICE
LLU14	7/8-9	25	
LLU16	1-8	25	
LLU18	1 1/8-7	15	
LLU20	1 1/4-7	15	
LLU22	1 3/8-6	10	
LLU24	1 1/2-6	10	

GRADE 2 FINISHED HEX CASTLE NUT

PLAIN STEEL, UNF

Line: 061-00



PART NUMBER	SIZE	QTY/BX	LIST PRICE
LLS04	1/4-28	100	
LLS05	5/16-24	100	
LLS06	3/8-24	100	
LLS07	7/16-20	100	
LLS08	1/2-20	100	
LLS09	9/16-18	50	
LLS10	5/8-18	50	
LLS12	3/4-16	25	
LLS14	7/8-14	25	
LLS16	1-14	25	
LLS18	1 1/8-12	15	
LLS20	1 1/4-12	15	
LLS22	1 3/8-12	10	
LLS24	1 1/2-12	10	
LLS28	1 3/4-12	5	
LLS32	2-12	5	

GRADE 2 FINISHED HEX SLOTTED NUT

PLAIN STEEL, UNC

Line: 062-00

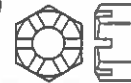


PART NUMBER	SIZE	QTY/BX	LIST PRICE
NNU04X	1/4-20	100	
NNU05X	5/16-18	100	
NNU06	3/8-16	100	
NNU07	7/16-14	100	
NNU08	1/2-13	100	
NNU09	9/16-12	50	
NNU10	5/8-11	50	
NNU12	3/4-10	25	
NNU14	7/8-9	25	
NNU16	1-8	25	
NNU18	1 1/8-7	15	
NNU20	1 1/4-7	15	
NNU22	1 3/8-6	10	
NNU24	1 1/2-6	10	

GRADE 2 FINISHED HEX SLOTTED NUT (cont.)

PLAIN STEEL, UNC

Line: 062-00

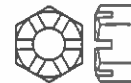


PART NUMBER	SIZE	QTY/BX	LIST PRICE
NNU28	1 3/4-5	5	
NNU40	2 1/2-4	1	

GRADE 2 FINISHED HEX SLOTTED NUT

PLAIN STEEL, UNF

Line: 063-00



PART NUMBER	SIZE	QTY/BX	LIST PRICE
NNS06	3/8-24	100	
NNS07	7/16-20	100	
NNS08	1/2-20	100	
NNS09	9/16-18	50	
NNS10	5/8-18	50	
NNS12	3/4-16	25	
NNS14	7/8-14	25	
NNS16	1-14	25	
NNS18	1 1/8-12	15	
NNS20	1 1/4-12	25	
NNS22	1 3/8-12	15	
NNS24	1 1/2-12	10	
NNS28	1 3/4-12	5	
NNS32	2-12	5	

GRADE 2 HEAVY HEX SLOTTED NUT

PLAIN STEEL, UNC

Line: 066-00



PART NUMBER	SIZE	QTY/BX	LIST PRICE
AEA06	3/8-16	100	
AEA07	7/16-14	100	
AEA08	1/2-13	100	
AEA10	5/8-11	50	
AEA12	3/4-10	25	
AEA14	7/8-9	25	
AEA16	1-8	25	
AEA18	1 1/8-7	15	
AEA20	1 1/4-7	15	
AEA22	1 3/8-6	10	
AEA24	1 1/2-6	10	
AEA28	1 3/4-5	5	
AEA32	2-4 1/2	5	

(continued...)

GRADE 2 FINISHED HEX SLOTTED NUT

ZINC PLATED, UNF

Line: 068-00



PART NUMBER	SIZE	QTY/BX	LIST PRICE
DYD06	3/8-24	100	
DYD07	7/16-20	100	
DYD08	1/2-20	100	
DYD09	9/16-18	50	
DYD10	5/8-18	50	
DYD12	3/4-16	25	
DYD14	7/8-14	25	
DYD16	1-14	25	
DYD18	1 1/8-12	15	
DYD20	1 1/4-12	15	
DYD22	1 3/8-12	10	
DYD24	1 1/2-12	10	

STAMPED WING NUT

ZINC PLATED, UNC

Line: 071-00



PART NUMBER	SIZE	QTY/BX	LIST PRICE
AYU66	#6-32	100	
AYU88	#8-32	100	
AYU03	#10-24	100	
AYU04	1/4-20	100	
AYU05	5/16-18	100	
AYU06	3/8-16	100	

COLD FORGED WING NUT

ZINC PLATED, UNC

Line: 072-00

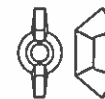


PART NUMBER	SIZE	QTY/BX	LIST PRICE
AZU66	#6-32	100	
AZU88	#8-32	100	
AZU03	#10-24	100	
AZU21	#12-24	100	
AZU04	1/4-20	100	
AZU05	5/16-18	100	
AZU06	3/8-16	100	
AZU07	7/16-14	50	
AZU08	1/2-13	50	
AZU10	5/8-11	25	
AZU12X	3/4-10	25	

COLD FORGED WING NUT

ZINC PLATED, UNF

Line: 073-00



PART NUMBER	SIZE	QTY/BX	LIST PRICE
AZS03	#10-32	100	
AZS04	1/4-28	100	
AZS05	5/16-24	100	
AZS06	3/8-24	100	
AZS08	1/2-20	50	

ACORN CAP NUT (2 PIECE, PRESSED)

NICKEL PLATED, UNC

Line: 078-00



PART NUMBER	SIZE	QTY/BX	LIST PRICE
BDU66	#6-32	100	
BDU88	#8-32	100	
BDU03	#10-24	100	
BDU04	1/4-20	100	
BDU05	5/16-18	100	
BDU06	3/8-16	100	
BDU08	1/2-13	100	
BDU10	5/8-11	50	

ACORN CAP NUT (2 PIECE, PRESSED)

NICKEL PLATED, UNF

Line: 079-00



PART NUMBER	SIZE	QTY/BX	LIST PRICE
BDS03	#10-32	100	
BDS04	1/4-28	100	

ACORN CAP NUT (MILLED)

ZINC PLATED, UNC

Line: 080-00



PART NUMBER	SIZE	QTY/BX	LIST PRICE
BEU66	#6-32	100	
BEU88	#8-32	100	
BEU03	#10-24	100	
BEU21X	#12-24	100	
BEU04	1/4-20	100	
BEU05	5/16-18	100	
BEU06	3/8-16	100	
BEU07	7/16-14	50	
BEU08	1/2-13	50	
BEU10	5/8-11	50	
BEU12	3/4-10	25	
BEU14Q15P	7/8-9 (Plain)	15	
BEU16Q10P	1-8 (Plain)	10	

ACORN CAP NUT (MILLED)

ZINC PLATED, UNF

Line: 081-00



PART NUMBER	SIZE	QTY/BX	LIST PRICE
BES03	#10-32	100	
BES04	1/4-28	100	
BES05	5/16-24	100	
BES06	3/8-24	100	
BES07	7/16-20	50	
BES08	1/2-20	50	
BES10	5/8-18	50	
BES12	3/4-16	25	

GRADE 2 HEX ROD COUPLING NUT

ZINC PLATED, UNC & UNF

Line: 084-00



PART NUMBER	SIZE	QTY/BX	LIST PRICE
ALA03	#10-24 X 3/4 (5/16 AF)	100	
ALA04	1/4-20 X 7/8 (3/8 AF)	50	
ALA04F	1/4-28 X 7/8 (3/8 AF)	50	
ALA05	5/16-18 X 1 1/8 (1/2 AF)	50	
ALA05F	5/16-24 X 7/8 (7/16 AF)	50	
ALA05056	5/16-18 X 1 3/4 (1/2 AF)	50	
ALA06	3/8-16 X 1 3/4 (5/8 AF)	50	
ALA06F	3/8-24 X 1 1/8 (1/2 AF)	50	
ALA06036	3/8-16 X 1 1/8 (1/2 AF)	100	
ALA06916	3/8-16 X 1 3/4 (9/16 AF)	50	
ALA07	7/16-14 X 1 3/4 (5/8 AF)	50	
ALA07F	7/16-20 X 1 1/4 (9/16 AF)	50	
ALA08	1/2-13 X 1 3/4 (11/16 AF)	50	
ALA08F	1/2-20 X 1 1/4 (5/8 AF)	50	
ALA08P	1/2-13 X 1 3/4 (11/16 AF, Plain)	50	
ALA08040	1/2-13 x 1 1/4 (5/8 AF)	50	
ALA10	5/8-11 X 2 1/8 (13/16 AF)	25	
ALA10F	5/8-18 x 2 1/8 (13/16 AF)	25	
ALA10P	5/8-11 x 2 1/8 (13/16 AF, Plain)	25	
ALA12	3/4-10 x 2 1/4 (1" AF)	25	
ALA12Q20	3/4-10 x 2 1/4 (1" AF)	20	
ALA12Q20P	3/4-10 x 2 1/4 (1" AF, Plain)	20	
ALA14	7/8-9 x 2 1/2 (1 1/4 AF)	25	
ALA16	1-8 x 2 3/4 (1 3/8 AF)	15	
ALA18	1 1/8-7 x 3 (1 1/2 AF)	10	
ALA18UN8	1 1/8-8 x 3 (1 1/2 AF)	10	
ALA20	1 1/4-7 x 3 (1 5/8 AF)	10	
ALA22	1 3/8-6	1	
ALA24	1 1/2-6 x 4 (2" AF)	5	

GRADE 2 FINISHED HEX NUT

HOT-DIP GALVANIZED, UNC

Line: 085-00



PART NUMBER	SIZE	QTY/BX	LIST PRICE
AWA04	1/4-20	100	
AWA05	5/16-18	100	
AWA06	3/8-16	100	
AWA07	7/16-14	100	
AWA08	1/2-13	100	
AWA10	5/8-11	50	
AWA12	3/4-10	50	
AWA14	7/8-9	25	
AWA16	1-8	25	

GRADE 2 HEAVY HEX NUT

HOT-DIP GALVANIZED, UNC

Line: 086-00



PART NUMBER	SIZE	QTY/BX	LIST PRICE
AXA06X	3/8-16	100	
AXA08	1/2-13	100	
AXA10	5/8-11	50	
AXA12	3/4-10	25	
AXA14	7/8-9	25	
AXA16X	1-8	25	
AXA18	1 1/8-7	25	
AXA20X	1 1/4-7	15	
AXA22	1 3/8-6	10	
AXA24	1 1/2-6	10	
AXA28	1 3/4-5	5	
AXA32	2-4 1/2	1	

HEAVY HEX NUT (GRADE 2H)

HOT-DIP GALVANIZED, UNC

Line: 086-01



PART NUMBER	SIZE	QTY/BX	LIST PRICE
BDY06	3/8-16	100	
BDY08	1/2-13	100	
BDY10	5/8-11	50	
BDY12	3/4-10	50	
BDY14	7/8-9	25	
BDY16	1-8	25	
BDY18	1 1/8-7	25	
BDY18UN8	1 1/8-8 UN8	25	
BDY20	1 1/4-7	20	
BDY20UN8	1 1/4-8 UN8	20	
BDY22	1 3/8-6	10	
BDY22UN8	1 3/8-8 UN8	10	
BDY24	1 1/2-6	10	
BDY24UN8	1 1/2-8 UN8	10	
BDY28	1 3/4-5	5	
BDY32	2-4 1/2	1	

SQUARE MACHINE SCREW NUT

ZINC PLATED, UNC

Line: 087-00



PART NUMBER	SIZE	QTY/BX	LIST PRICE
ARA22	#2-56	100	
ARA33	#3-48	100	
ARA44	#4-40	100	
ARA55X	#5-40	100	
ARA66	#6-32	100	
ARA88	#8-32	100	
ARA02	#10-32	100	
ARA03	#10-24	100	
ARA21X	#12-24	100	
ARA04	1/4-20	100	
ARA05	5/16-18	100	
ARA06	3/8-16	100	
ARA08	1/2-13	100	

GRADE 2 REGULAR SQUARE NUT

PLAIN STEEL, UNC

Line: 089-00



PART NUMBER	SIZE	QTY/BX	LIST PRICE
ATA04	1/4-20	100	
ATA05	5/16-18	100	
ATA06	3/8-16	100	
ATA07	7/16-14	100	
ATA08	1/2-13	100	
ATA10	5/8-11	50	
ATA12	3/4-10	50	
ATA14	7/8-9	25	
ATA16	1-8	25	
ATA18	1 1/8-7	25	
ATA20	1 1/4-7	25	
ATA22X	1 3/8-6	10	
ATA24	1 1/2-6	10	

GRADE 2 REGULAR SQUARE NUT

ZINC PLATED, UNC

Line: 091-00



PART NUMBER	SIZE	QTY/BX	LIST PRICE
DMD04	1/4-20	100	
DMD05	5/16-18	100	
DMD06	3/8-16	100	
DMD07	7/16-14	100	
DMD08	1/2-13	100	
DMD10	5/8-11	50	
DMD12	3/4-10	50	
DMD14	7/8-9	25	
DMD16	1-8	25	
DMD18	1 1/8-7	25	

(continued...)

GRADE 2 REGULAR SQUARE NUT (cont.)

ZINC PLATED, UNC

Line: 091-00



PART NUMBER	SIZE	QTY/BX	LIST PRICE
DMD20	1 1/4-7	25	
DMD24	1 1/2-6	10	

PRONGED TEE NUT

ZINC PLATED

Line: 092-00



PART NUMBER	SIZE	QTY/BX	LIST PRICE
AQA66	#6-32 (9/32 Barrel 3P)	100	
AQA88	#8-32 (1/4 Barrel 3P)	100	
AQA02	#10-32 (5/16 Barrel 3P)	100	
AQA03	#10-24 (5/16 Barrel 3P)	100	
AQA03SS	#10-24 (Stainless)	100	
AQA504X	1/4-28	100	
AQA04	1/4-20 (7/16 Barrel 3P)	100	
AQA04SS	1/4-20 (Stainless 4P)	100	
AQA0410	1/4-20 (5/16 Barrel 3P)	100	
AQA05	5/16-18 (3/8 Barrel 3P)	100	
AQA05SPECK	5/16-18 (5/8 Barrel)	100	
AQA06	3/8-16 (7/16 Barrel 3P)	100	

SERRATED FLANGE HEX NUT

ZINC PLATED, UNC - CASE HARDENED STEEL

Line: 095-00



PART NUMBER	SIZE	QTY/BX	LIST PRICE
ZLB66	#6-32	100	
ZLB88	#8-32	100	
ZLB503	#10-32	100	
ZLB03	#10-24	100	
ZLB04L	1/4-20 (Large Hex)	100	
ZLB3804	1/4-28	100	
ZLB830	1/4-20	100	
ZLB866	5/16-18	100	
ZLB867	5/16-24	100	
ZLB868	3/8-16	100	
ZLB879	3/8-24	50	
ZLB075	7/16-20	100	
ZLB2660	7/16-14	50	
ZLB3806	1/2-13	50	
ZLB3807	1/2-20	50	
ZLB10	5/8-11	50	
ZLB105	5/8-18	50	

LEFT HAND FINISHED HEX NUT

PLAIN STEEL, UNC

Line: 096-00



PART NUMBER	SIZE	QTY/BX	LIST PRICE
BNU04	1/4-20	100	
BNU05	5/16-18	100	
BNU06	3/8-16	100	
BNU07	7/16-14	100	
BNU08	1/2-13	100	
BNU09	9/16-12	50	
BNU10	5/8-11	50	
BNU12	3/4-10	25	
BNU14	7/8-9	25	
BNU16	1-8	25	
BNU18	1 1/8-7	10	
BNU20	1 1/4-7	10	
BNU24	1 1/2-6	5	
BNU32	2-4 1/2	5	

LEFT HAND FINISHED HEX NUT

PLAIN STEEL, UNF

Line: 097-00



PART NUMBER	SIZE	QTY/BX	LIST PRICE
BNS04	1/4-28	100	
BNS05	5/16-24	100	
BNS06	3/8-24	100	
BNS07	7/16-20	100	
BNS08	1/2-20	100	
BNS09	9/16-18	50	
BNS10	5/8-18	50	
BNS12	3/4-16	25	
BNS14	7/8-14	25	
BNS16	1-14	25	
BNS18	1 1/8-12	10	
BNS20	1 1/4-12	10	
BNS24	1 1/2-12	5	

LEFT HAND FINISHED HEX JAM NUT

PLAIN STEEL, UNC

Line: 098-00



PART NUMBER	SIZE	QTY/BX	LIST PRICE
BPU04	1/4-20	100	
BPU05	5/16-18	100	
BPU06	3/8-16	100	
BPU07	7/16-14	100	
BPU08	1/2-13	100	
BPU09	9/16-12	50	
BPU10	5/8-11	50	
BPU12	3/4-10	25	
BPU14	7/8-9	25	

LEFT HAND FINISHED HEX JAM NUT (cont.)

PLAIN STEEL, UNC

Line: 098-00



PART NUMBER	SIZE	QTY/BX	LIST PRICE
BPU16	1-8	25	
BPU18	1 1/8-7	10	
BPU20	1 1/4-7	10	
BPU22	1 3/8-6	10	
BPU24	1 1/2-6	5	
BPU28	1 3/4-5	5	
BPU32	2-4 1/2	5	

LEFT HAND FINISHED HEX JAM NUT

PLAIN STEEL, UNF

Line: 099-00



PART NUMBER	SIZE	QTY/BX	LIST PRICE
BPS04	1/4-28	100	
BPS05	5/16-24	100	
BPS06	3/8-24	100	
BPS07	7/16-20	100	
BPS08	1/2-20	100	
BPS09	9/16-18	50	
BPS10	5/8-18	50	
BPS12	3/4-16	25	
BPS14	7/8-14	25	
BPS16	1-14	25	
BPS18	1 1/8-12	10	
BPS20	1 1/4-12	10	
BPS22	1 3/8-12	5	
BPS24	1 1/2-12	5	
BPS26	1 5/8-12	1	
BPS28	1 3/4-12	5	
BPS32	2-12	5	

LEFT HAND HEAVY HEX NUT

PLAIN STEEL, UNC

Line: 100-00



PART NUMBER	SIZE	QTY/BX	LIST PRICE
AMA05X	5/16-18	100	
AMA06	3/8-16	100	
AMA07	7/16-14	100	
AMA08	1/2-13	100	
AMA09	9/16-12	100	
AMA10	5/8-11	50	
AMA12	3/4-10	25	
AMA14	7/8-9	25	
AMA16	1-8	25	
AMA18	1 1/8-7	25	
AMA20	1 1/4-7	10	
AMA24	1 1/2-6	5	

(continued...)